

ALLWEILER SNA™ SERIES PLUG & PLAY PUMPING SOLUTION FOR LUBE OIL APPLICATIONS

SETTING A NEW STANDARD FOR API 676/682





FITS API 676/682 APPLICATIONS
FLEXIBLE CONNECTIVITY
ALLWEILER RELIABILITY
QUICKLY INSTALL AND MAINTAIN

THE LUBE OIL PUMP THAT SKID BUILDERS CAN RELY ON

Lube oil skid builders must be highly flexible when receiving orders for API 676/682 applications. In serving the industry, skid builders must have supplier partners that are equally flexible and reliable. If those suppliers can offer quality and reliable solutions with cost-effective pricing and reasonable delivery times, they are positioning their customer for success.

Introducing CIRCOR's Allweiler SNA series, the next-generation industrial lube oil three-screw pump systems, when nothing less than API-level quality will do. Engineered to last, SNA series is built to API 676/682 guidance. Allweiler's newly developed pumping system has a solution to fit applications that require oil lubrication, including:



REFINERIES
(GAS COMPRESSORS, GEARBOX)



POWER PLANTS
(OIL COOLING, EMERGENCY AND BEARING PUMPS)



**COMPRESSORS, TURBINES
AND LARGE SCALE PUMPS**



**JACKING OIL
& SEAL OIL SYSTEMS**



**LARGE GEAR
TRANSMISSIONS**



**MACHINES USED IN MINING,
CEMENT PLANTS & STONE
BREAKING**



**TRANSPORTATION
CONVEYOR SYSTEMS**



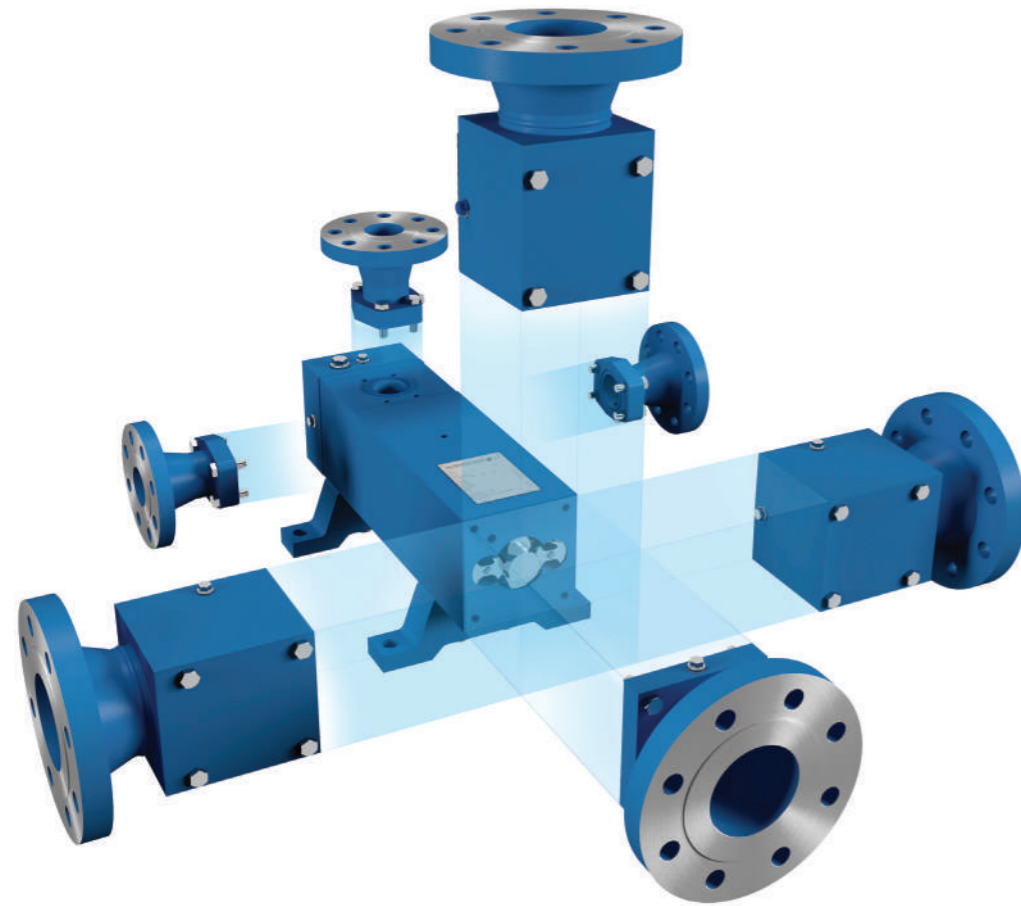
COAL MILLING



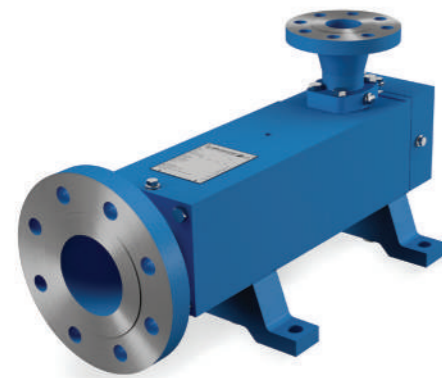
**FLOATING PRODUCTION
STORAGE AND OFFLOADING
(FPSO) VESSELS**

FLEXIBILITY STARTS WITH OPTIONS – AND WE HAVE THEM

By using screw connections with two different flanges for the inlet and one for the outlet, instead of welded connections, together with intuitive pump feet, the Allweiler SNA becomes a plug-and-play solution for connecting to any application with ease.



CHOOSE BETWEEN TWO MOUNTING SCHEMES



SNAH

Foot-mounted design for baseplate mounting



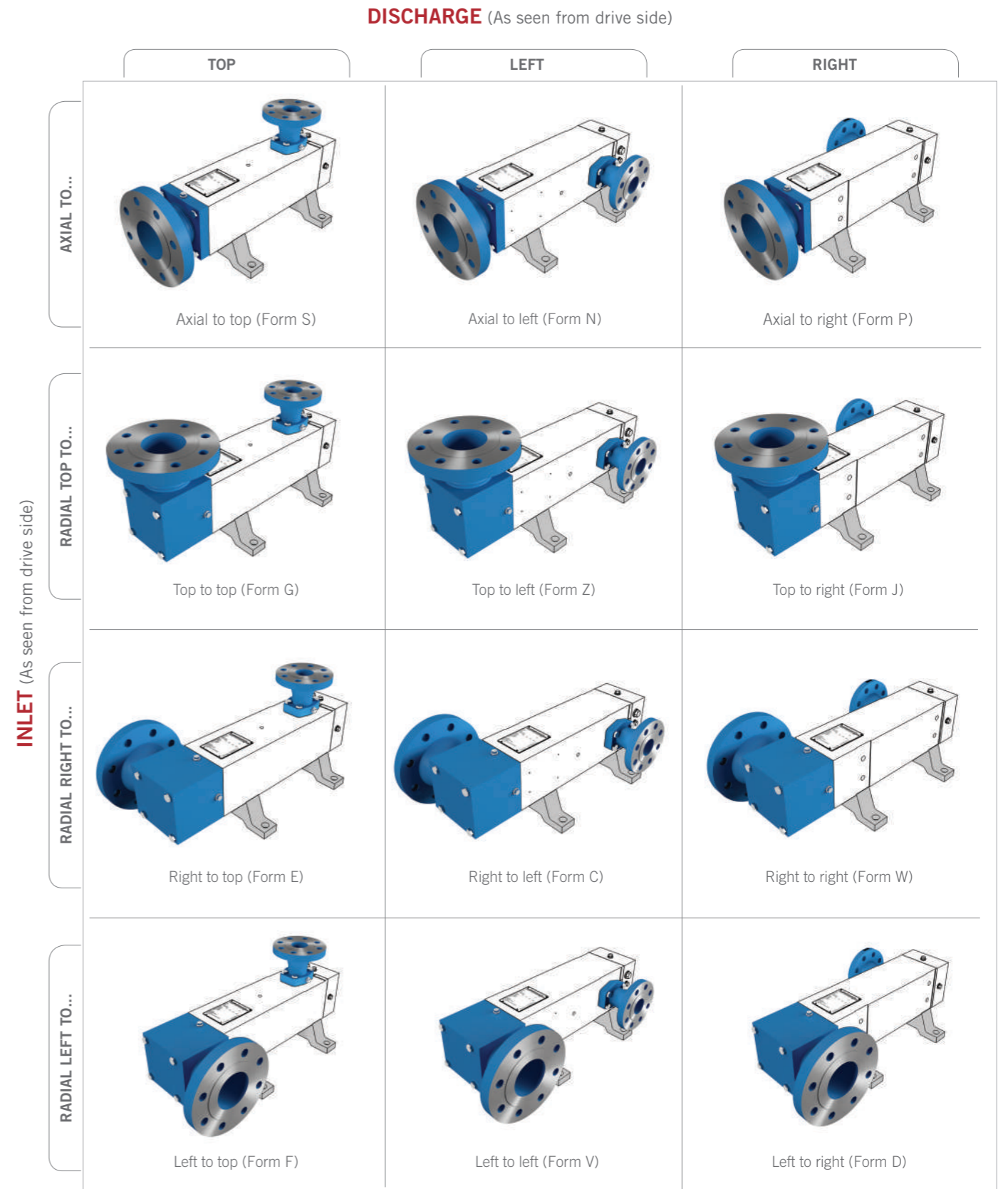
SNAF

Flange-mounted design that attaches to a footless motor; no welded connections*

*Not in accordance to API 676

A NEW STANDARD OF FLEXIBLE CONNECTIVITY

Allweiler's intuitive design solution keeps you on track for delivery, even if the project has suddenly changed inlet and outlet positions. The Allweiler SNA series allows for customized setups in any of 12 ways.



ALLWEILER RELIABILITY FOR EVERY LUBE OIL APPLICATION

Allweiler SNA is a self-priming, low vibration three-screw pump series that has the advantages of positive displacement technology.

The pump provides smooth handling of the liquid, offers wide viscosity and temperature ranges and maintains critical flow requirements even with back-pressure increases, as well as delivers reliable high volumetric efficiency. The Allweiler SNA pump is available in a bare shaft version, but also as an aggregate solution complete with baseplate, coupling, lantern and motor – providing a fully plug-and-play solution for the most diverse applications.

APPLICATIONS



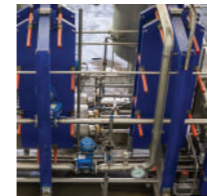
Compressors, turbines and large scale pumps



Power plants (oil cooling, emergency and bearing pumps)



Refineries (gas compressors, gearbox)



Jacking oil and seal oil systems



Large gear transmissions



Machines used in mining, cement plants and stone breaking



Transportation conveyor systems



Coal milling



Floating production storage and offloading (FPSO) vessels

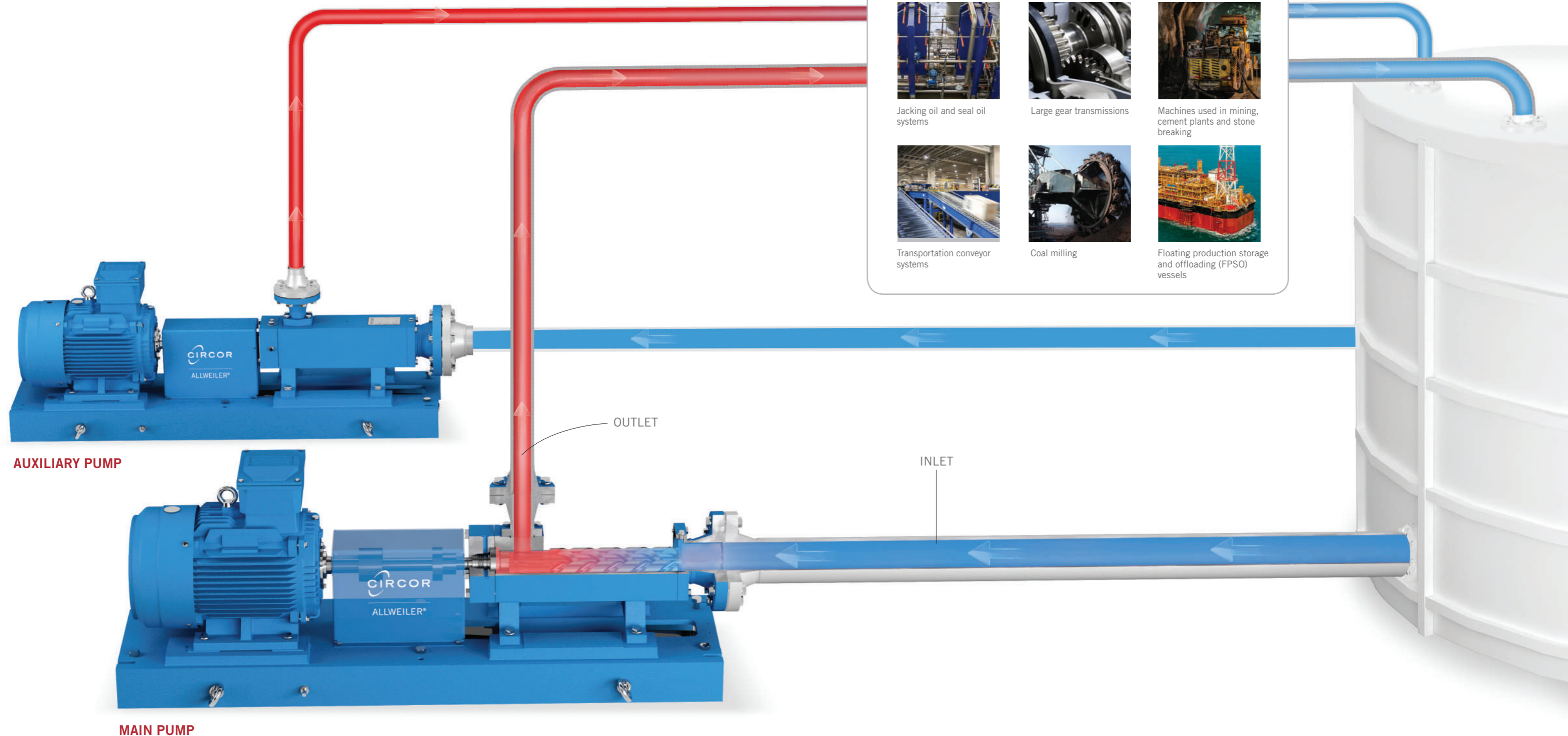


Illustration depicts basic lube oil application.

100% STEEL CONSTRUCTION STANDS UP TO DEMANDING APPLICATIONS

Built to API 676 guidance, the Allweiler SNA is a self-priming pump, with spindles and housing made completely of steel, providing optimum running properties under critical conditions. The idler screws are hydraulically driven, and the axial thrust is fully compensated hydrostatically, creating a hydrodynamically balanced pump.

CHOOSE THE RIGHT SNA SEAL

Your basic sealing requirement can be covered with Allweiler's high quality mechanical seal (7.20).

When more demanding applications call for the seal to have additional functions such as connecting additional sealing systems, leakage draining, easier maintenance and flagship reliability, Allweiler offers two compact cartridge seals to cover all requirements. Choose between a cartridge seal (13.5) with a certain amount of deviation of API 682, and one that meets nearly 100% of API 682 (7.21).

FLEXIBLE CONNECTIVITY

Allweiler is setting a new standard with weld-free connectivity. Flange options to screw/unscrew and easily change positions from top, left or right side, depending on customer requirements.



FITS EVERY CONNECTION

Suction and discharge flanges are according to ASME-B 16.5 class. 150/300 lbs as default and other variations as 300/300 and 150/150 are optional.

PUMP DESIGN MEETS API 676

EFFICIENT TRANSMISSION

High quality coupling designed to reduce power loss to minimum.

FITS ALL SYSTEM POWER NEEDS

Various motor possibilities

CARTRIDGE SEALS API 682 COMPLIANT

SAFETY AND ACCESSIBILITY

Coupling guard designed to improve people security but also to easily access connections. Reinforced for up to 900 N.

SEALING SOLUTION FOR EVERY DEMAND
Sealing variants include high quality mechanical seal either in standard version or maintenance-free cartridge seals corresponding to API 682 standard.

BASE PLATE MEETS API 676

ENGINEERED TO LAST

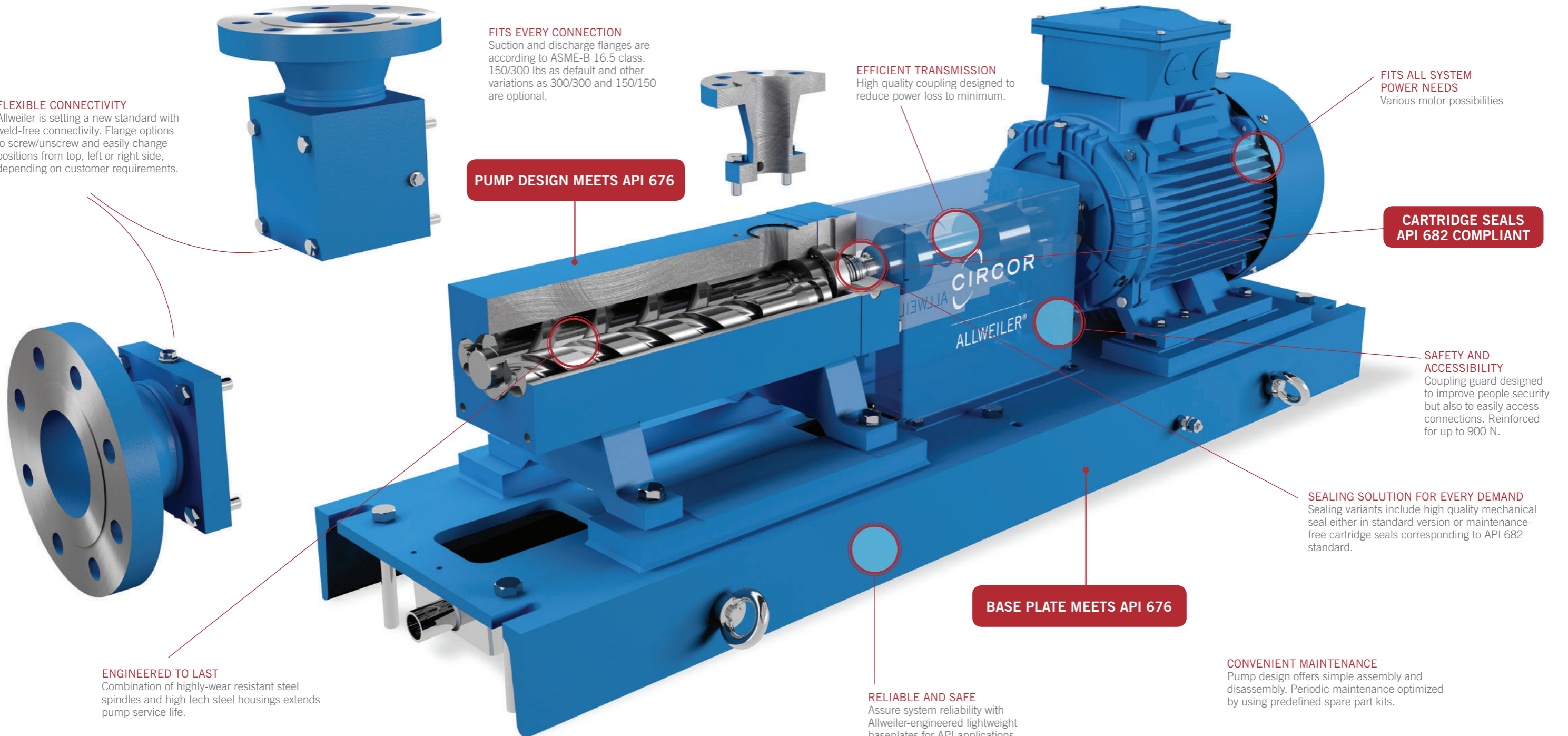
Combination of highly-wear resistant steel spindles and high tech steel housings extends pump service life.

RELIABLE AND SAFE

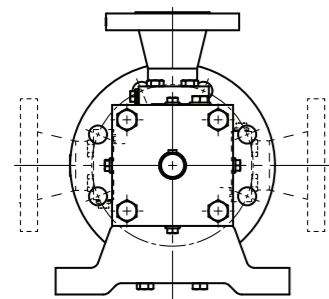
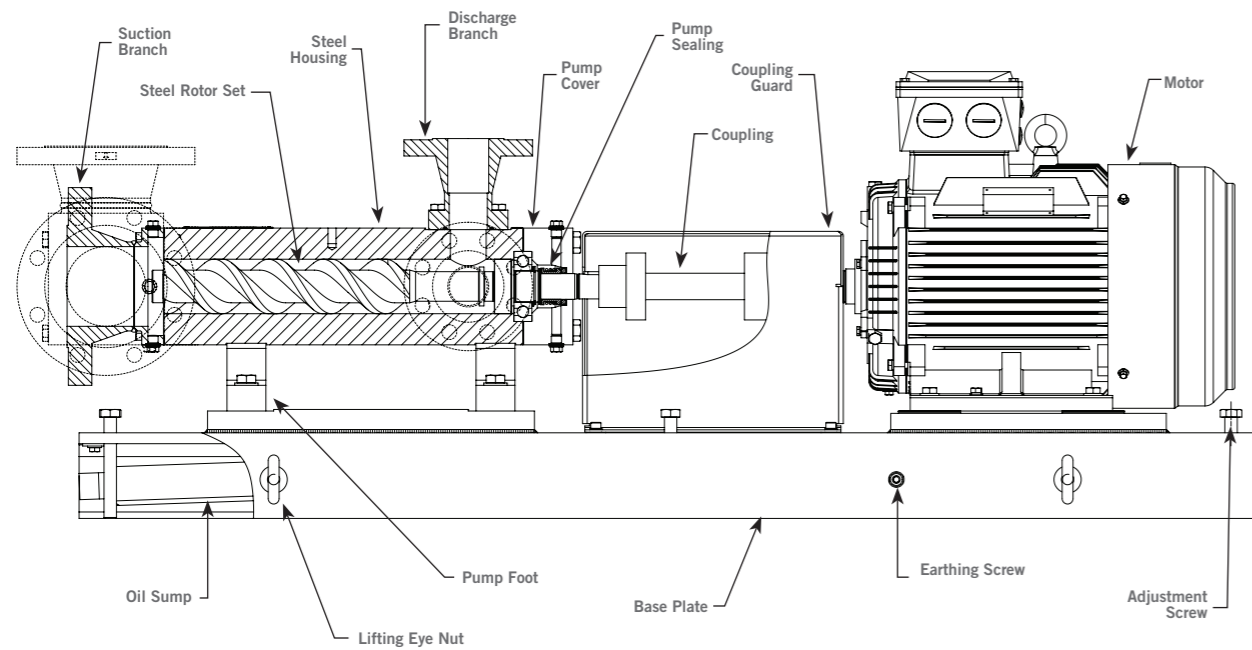
Assure system reliability with Allweiler-engineered lightweight baseplates for API applications.

CONVENIENT MAINTENANCE

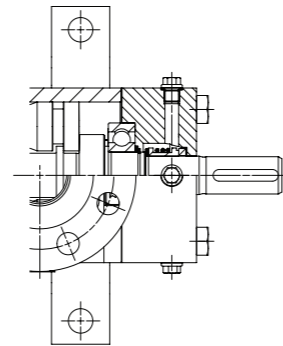
Pump design offers simple assembly and disassembly. Periodic maintenance optimized by using predefined spare part kits.



SNAH VERSION

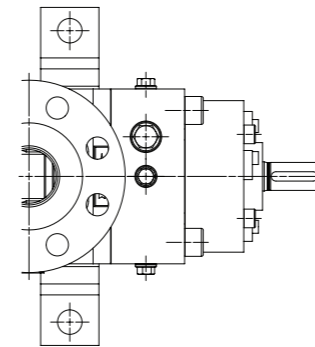
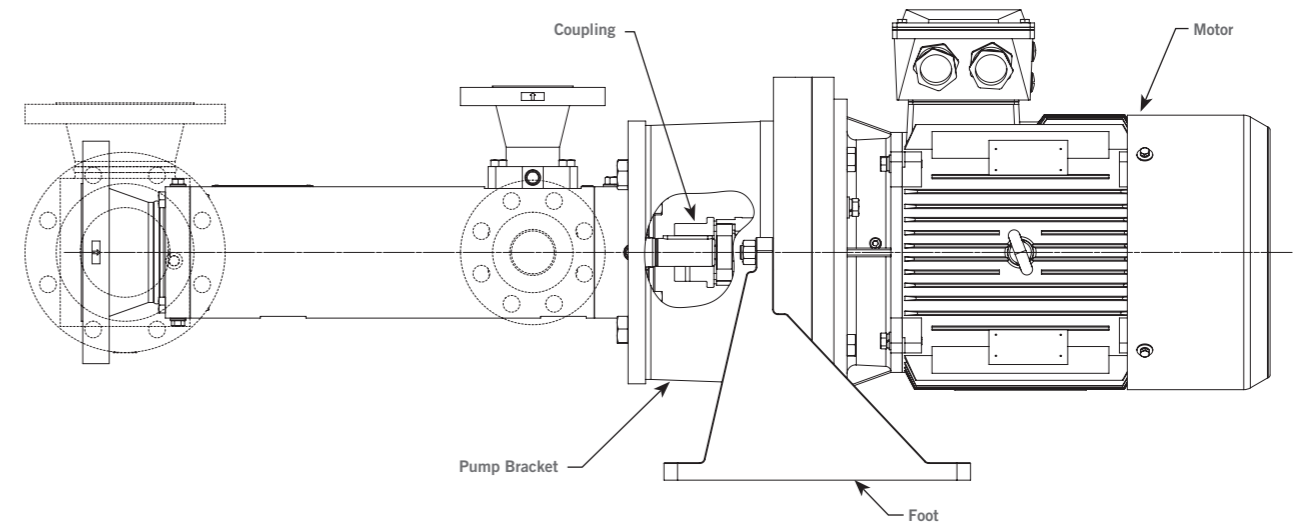


SNAH FRONT VIEW

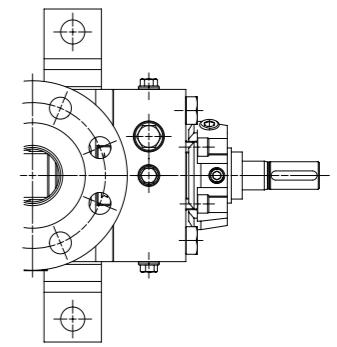


HIGH QUALITY MECHANICAL SEAL (7.20)

SNAF VERSION



(SEAL 7.21) CARTRIDGE SEAL (ES DESIGN) CORRESPONDING TO API 682



BASIC CARTRIDGE SEAL (13.5) WITH DEVIATIONS TO API 682

| 4 BASIC VARIANTS | 6 PUMP SIZES | 3 PRESSURE RATINGS | 12 FLOW DIRECTIONS | TOTAL VARIANTS |
|--|--|--|---|--|
| SNAH with seal 7.20 SNAF with seal 7.20 SNAH with seal 7.21 SNAH with seal 13.5 | Size 40 Size 80 Size 140 Size 210 Size 280 Size 440 | Inlet 150 lbs / Outlet 300 lbs Inlet 150 lbs / Outlet 150 lbs Inlet 300 lbs / Outlet 300 lbs | Axial to top Axial to left Axial to right Top to top Top to left Top to right Right to top Right to left Right to right Left to top Left to left Left to right | 864 bare shaft pump variants 3000 system variants |

| PERFORMANCE DATA | | | | |
|--|----|----|-------|------------------------|
| CAPACITY | Q | 30 | UP TO | 880 l/min |
| DISCHARGE PRESSURE (Including intermittent operation) | Pd | | UP TO | 20 bar ¹ |
| INLET PRESSURE | Ps | | UP TO | 2 bar |
| LIQUID TEMPERATURE | t | | UP TO | 100 °C |
| LIQUID VISCOSITY | v | 10 | UP TO | 750 mm ² /s |

¹ Intermittent operation refers to: Alternating loads when the pump is frequently switched on and off (such as speed variable oil drives on turbines).



CIRCOR is a market-leading, global provider of integrated flow control solutions, specializing in the manufacture of highly engineered valves, instrumentation, pumps, pipeline products and services, and associated products, for critical and severe service applications in the oil and gas, power generation, industrial, process, maritime, aerospace, and defense industries.

Excellence in Flow Control

Asia | Europe | Middle East | North America | South America

ALLWEILER GmbH
Allweilerstr. 1 78315 Radolfzell
Germany
+49 7732 86 0

CIRCOR
1710 Airport Rd
Monroe, NC 28110
USA

Unit 804, Venture International Park
Building B No. 2679
Hechuan Road
Shanghai 201103 China
+86 21 6248 1395



ALLWEILER®

circorpt.com/SNA

CIRCOR and ALLWEILER are registered trademarks of CIRCOR International or its subsidiaries in the U.S. and/or other countries. ©2019, CIRCOR International. All rights reserved. GB-IND016-32492-6/19, 488219 – GB/06.2019

*The user has the option of extending the warranty up to a total duration of 5 years from the date of authorized start-up. For more detailed information, contact your authorized Allweiler dealer or sales representative.